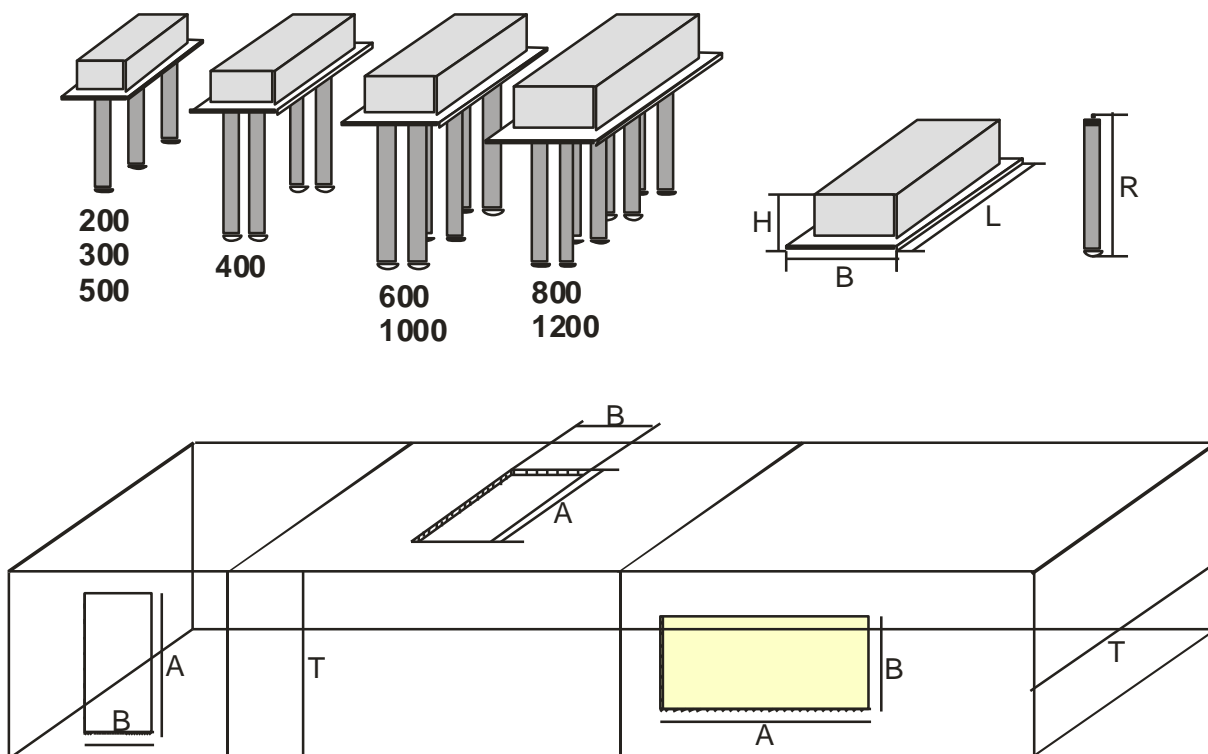


## Mounting Dimensions Series aerotron



Mounting Dimensions Series aerotron								
Aerotron Typ	Qty. Tubes	Tube-length (R) [mm]	Dim. Generator with Groundplate			Duct outcut [A x B]		required Duct depth (T) [mm]
			length (L) [mm]	width (B) [mm]	high (H) [mm]	length (A) [mm]	width (B) [mm]	
<b>200</b>	3 x IRD	255	220	125	97	190	95	300
<b>300</b>	3 x IRE	365	220	125	97	190	95	400
<b>400</b>	4 x IRE	365	270	190	95	240	160	400
<b>500</b>	3 x IRF	520	220	125	97	190	95	600
<b>600</b>	6 x IRE	365	270	190	95	240	160	400
<b>800</b>	8 x IRE	365	390	190	105	360	160	400
<b>1000</b>	6 x IRF	520	270	190	95	240	160	600
<b>1200</b>	8 x IRF	520	390	190	105	360	160	600
<b>1800</b>	9 x IRF	520	390	190	105	360	160	600
<b>2000</b>	14 x IRF	520	610	272	80	585	245	600